

MOBILE AIRCRAFT FIRE FIGHTING SIMULATOR

FULLY-MOBILE ARFF TRAINER CONFIGURATION

1. Mobile Narrow-Body Features

- All steel construction on a custom chassis,
- Modified tow vehicle that serves as a Control Room
- Specifically design to be Department of Transportation-compliant for ease of road travel
- Offers a completely self contained training system
- Exterior arrangements simulate a variety of key aircraft fire incidents: wheel well, wing engine, wing fuel, tail engines
- Propane-fueled live fire simulators requiring no water reclamation



2. Achievable Training Objectives

- Aircraft entry training
- Passenger search and rescue training
- Flight personnel training
- ARFF recovery training
- Fuel spill control training
- Fuselage penetration training
- Hose line use and proper extinguishing agents

3. Interior Configuration

- Reconfigurable seating for crash layouts
- Galley and lavatory areas
- Bulkheads and overhead compartments
- Layout simulates narrow passages and spaces

4. Multiple Live Fire Simulators

- LPG propane-fueled
- Cockpit Live Fire SIM
- Fuselage Live Fire SIM
- Gallery Live Fire SIM
- Lavatory Live Fire SIM
- APU Live Fire SIM
- Wheel Well Live Fire SIM
- Cargo Live Fire SIM
- Portable Spill Fire for index A,B,C training

5. Smoke and ventilation system

- Smoke distribution system
- To zero visibility in under 60 seconds
- Complete air exchange in under 60 seconds

6. Safety Features

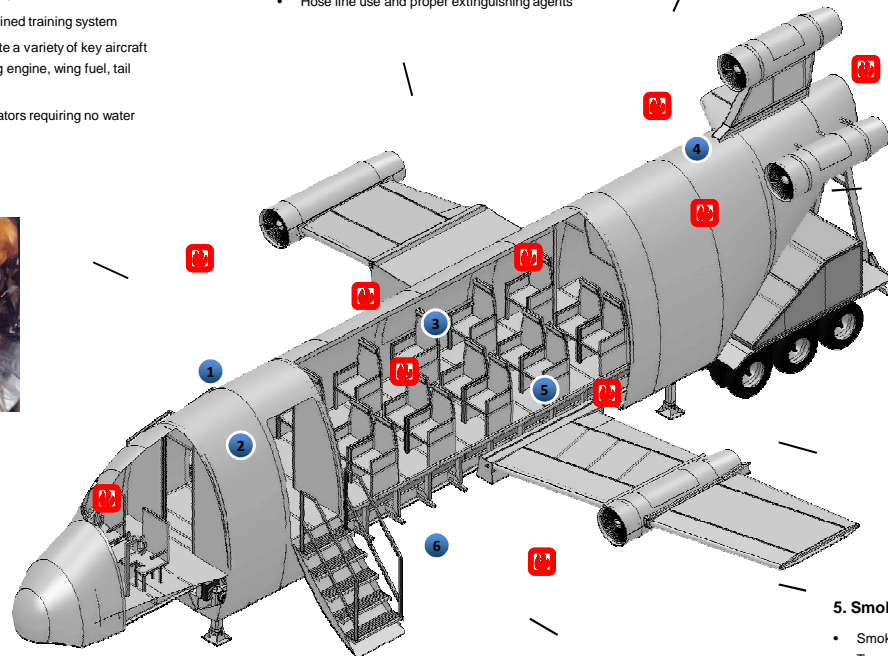
- Exhaust System safety feature
- Fail safe safety shut downs
- E-stop Buttons at critical points
- Loss of power safety feature
- LPG Flow reduction safety feature
- LEL Monitoring safety feature (lower explosive limit)
- Temperature Monitoring
- Pilot and flame monitoring in all zone

7. Control Room

- Computer-based monitors, sensors and controls
- Self contained
- Climate-controlled operation room
- Automatic safety features and E-Stop
- Full viewing of training area
- Camera and video recording system (optional)

8. Training Software

- Embedded programming and control screens
- Password and user protected
- Programmable gas flow and flame levels
- Full data tracking



SUMMARY INFORMATION

Training System Objectives

- Operating key ARFF equipment
- Executing normal ARFF incident procedures
- Executing corresponding ARFF integrated fire suppression and rescue drills
- Executing ARFF incident command
- Familiarization with narrow body aircraft interiors, exteriors, hatches, doors, and access points
- Familiarization with typical narrow body aircraft fire locations and flame spreads characteristics

Basic System Configuration

- Full integrated LIVE FIRE burning props, fuel supply system and control systems for multiple fire scenarios
- Self contained control room / towing tractor
- Multi-layered safety system with multiple-levels of monitoring and emergency training cutoffs
- Computer-based ignition, control, ARFF scenario management, safety monitoring and action recording systems
- Hardware and software including operations and maintenance documentation
- Delivery, training and testing
- One year parts and service warranty
- Technical handover to training facility operator

Additional Training System Options

- Additional fire zones
- Portable fuel spill simulator
- Advanced scenario-design software to link various live fire SIMs for multiple action areas
- Alternative aircraft models – military fighter jet, private jet, and private or military helicopter

Training Delivery Options

- Curricula for classroom, simulator, and ARFF equipment familiarization training
- Certified instructors for classroom, simulator, and live fire training
- Training facility operations and maintenance service

FIRE FIGHTING & EMERGENCY RESPONSE TRAINING SOLUTIONS

MOBILE NARROW-BODY AIRCRAFT